

# INSTALLATION CONTACTORS - UP TO 40 A

## AC-1 acc. to IEC/EN 60947-4-1 (2-pole, 1 module)

Type	Rated current I <sub>e</sub>	Control voltage at 50/60 Hz	Wiring diagram	Ordering No.	Weight (g)	Packaging (pcs)
IKA216-20	16 A	230 V		30.047.486	130	6
IKA216-20	16 A	24 V		30.047.487	130	
IKA20-20	20 A	230 V		30.046.005	130	
IKA20-20	20 A	24 V		30.046.021	130	
IKA225-20	25 A	230 V		30.046.714	130	
IKA225-20	25 A	24 V		30.046.711	130	
IKA232-20	32 A	230 V		30.046.833	130	6
IKA232-20	32 A	24 V		30.046.834	130	
IKA216-11	16 A	230 V		30.047.488	130	
IKA216-11	16 A	24 V		30.047.489	130	
IKA20-11	20 A	230 V		30.046.009	130	
IKA20-11	20 A	24 V		30.046.022	130	
IKA225-11	25 A	230 V		30.046.715	130	6
IKA225-11	25 A	24 V		30.046.712	130	
IKA232-11	32 A	230 V		30.046.835	130	
IKA232-11	32 A	24 V		30.046.836	130	
IKA216-10	16 A	230 V		30.047.490	125	
IKA216-10	16 A	24 V		30.047.491	125	
IKA20-10	20 A	230 V		30.046.457	125	6
IKA20-10	20 A	24 V		30.046.837	125	
IKA225-10	25 A	230 V		30.046.713	125	
IKA225-10	25 A	24 V		30.046.710	125	
IKA232-10	32 A	230 V		30.046.838	125	
IKA232-10	32 A	24 V		30.046.839	125	
IKA216-01	16 A	230 V		30.047.492	125	6
IKA216-01	16 A	24 V		30.047.493	125	
IKA20-01	20 A	230 V		30.046.716	125	
IKA20-01	20 A	24 V		30.046.840	125	
IKA225-01	25 A	230 V		30.046.841	125	
IKA225-01	25 A	24 V		30.046.842	125	
IKA232-01	32 A	230 V		30.046.843	125	6
IKA232-01	32 A	24 V		30.046.844	125	
IKA216-02	16 A	230 V		30.047.494	130	
IKA216-02	16 A	24 V		30.047.495	130	
IKA20-02	20 A	230 V		30.046.010	130	
IKA20-02	20 A	24 V		30.046.023	130	
IKA225-02	25 A	230 V		30.046.845	130	6
IKA225-02	25 A	24 V		30.046.846	130	
IKA232-02	32 A	230 V		30.046.847	130	
IKA232-02	32 A	24 V		30.046.848	130	



3

## AC-1 acc. to IEC/EN 60947-4-1 (1-pole, 1 module)

Type	Rated current I <sub>e</sub>	Control voltage at 50/60 Hz	Wiring diagram	Ordering No.	Weight (g)	Packaging (pcs)
IKA140-1P	40 A	230 V		30.047.814	123	6
IKA140-1P	40 A	24 V		30.047.815	123	6



## AC-1 acc. to IEC/EN 60947-4-1 (1-pole, 1 module)

Type	Rated current I <sub>e</sub>	Control voltage	Wiring diagram	Ordering No.	Weight (g)	Packaging (pcs)
IKD140-1P	40 A	230 V AC		30.047.816	123	6
		220 V DC				
IKD140-1P	40 A	24 V AC/DC		30.047.817	123	6

ORDERING DATA

# INSTALLATION CONTACTORS - WITH MANUAL CONTROL

UP TO 32 A

AC-1 acc. to IEC/EN 60947-4-1 (2-pole, 1 module)

AC

Type	Rated current I <sub>e</sub>	Control voltage at 50/60 Hz	Wiring diagram	Ordering No.	Weight (g)	Packaging (pcs)
IKA216-20-R	16 A	230 V		30.047.526	130	6
IKA216-20-R	16 A	24 V		30.047.527	130	
IKA20-20-R	20 A	230 V		30.046.265	130	
IKA20-20-R	20 A	24 V		30.046.268	130	
IKA225-20-R	25 A	230 V		30.046.895	130	
IKA225-20-R	25 A	24 V		30.046.896	130	
IKA232-20-R	32 A	230 V		30.046.897	130	6
IKA232-20-R	32 A	24 V		30.046.898	130	
IKA216-11-R	16 A	230 V		30.047.528	130	
IKA216-11-R	16 A	24 V		30.047.529	130	
IKA20-11-R	20 A	230 V		30.046.266	130	
IKA20-11-R	20 A	24 V		30.046.269	130	
IKA225-11-R	25 A	230 V		30.046.899	130	6
IKA225-11-R	25 A	24 V		30.046.900	130	
IKA232-11-R	32 A	230 V		30.046.901	130	
IKA232-11-R	32 A	24 V		30.046.902	130	
IKA216-10-R	16 A	230 V		30.047.530	125	
IKA216-10-R	16 A	24 V		30.047.531	125	
IKA20-10-R	20 A	230 V		30.046.496	125	6
IKA20-10-R	20 A	24 V		30.046.903	125	
IKA225-10-R	25 A	230 V		30.046.904	125	
IKA225-10-R	25 A	24 V		30.046.905	125	
IKA232-10-R	32 A	230 V		30.046.906	125	
IKA232-10-R	32 A	24 V		30.046.907	125	
IKA216-01-R	16 A	230 V		30.047.532	125	6
IKA216-01-R	16 A	24 V		30.047.533	125	
IKA20-01-R	20 A	230 V		30.046.908	125	
IKA20-01-R	20 A	24 V		30.046.909	125	
IKA225-01-R	25 A	230 V		30.046.910	125	
IKA225-01-R	25 A	24 V		30.046.911	125	
IKA232-01-R	32 A	230 V		30.046.912	125	6
IKA232-01-R	32 A	24 V		30.046.913	125	
IKA216-02-R	16 A	230 V		30.047.534	130	
IKA216-02-R	16 A	24 V		30.047.535	130	
IKA20-02-R	20 A	230 V		30.046.267	130	
IKA20-02-R	20 A	24 V		30.046.270	130	
IKA225-02-R	25 A	230 V		30.046.914	130	6
IKA225-02-R	25 A	24 V		30.046.915	130	
IKA232-02-R	32 A	230 V		30.046.916	130	
IKA232-02-R	32 A	24 V		30.046.917	130	

Other control voltages are on request - define type and voltage



3

ORDERING DATA

# INSTALLATION CONTACTORS - WITH MANUAL MOMENTARY CONTROL

UP TO 32 A

AC-1 acc. to IEC/EN 60947-4-1 (2-pole, 1 module)

AC

Type	Rated current I <sub>e</sub>	Control voltage at 50/60 Hz	Wiring diagram	Ordering No.	Weight (g)	Packaging (pcs)
IKA216-20-T	16 A	230 V		30.047.566	130	6
IKA20-20-T	20 A	230 V		30.046.974	130	
IKA225-20-T	25 A	230 V		30.046.975	130	
IKA232-20-T	32 A	230 V		30.046.976	130	
IKA216-11-T	16 A	230 V		30.047.567	130	6
IKA20-11-T	20 A	230 V		30.046.977	130	
IKA225-11-T	25 A	230 V		30.046.978	130	
IKA232-11-T	32 A	230 V		30.046.979	130	
IKA216-10-T	16 A	230 V		30.047.568	125	6
IKA20-10-T	20 A	230 V		30.046.980	125	
IKA225-10-T	25 A	230 V		30.046.981	125	
IKA232-10-T	32 A	230 V		30.046.982	125	
IKA216-01-T	16 A	230 V		30.047.569	125	6
IKA20-01-T	20 A	230 V		30.046.983	125	
IKA225-01-T	25 A	230 V		30.046.984	125	
IKA232-01-T	32 A	230 V		30.046.985	125	
IKA216-02-T	16 A	230 V		30.047.570	130	6
IKA20-02-T	20 A	230 V		30.046.986	130	
IKA225-02-T	25 A	230 V		30.046.987	130	
IKA232-02-T	32 A	230 V		30.046.988	130	



3

AC-1 acc. to IEC/EN 60947-4-1 (4-pole, 2 modules)

AC

Type	Rated current I <sub>e</sub>	Control voltage at 50/60 Hz	Wiring diagram	Ordering No.	Weight (g)	Packaging (pcs)
IKA416-40-T	16 A	230 V		30.047.571	230	3
IKA25-40-T	25 A	230 V		30.046.989	230	
IKA432-40-T	32 A	230 V		30.046.990	230	3
IKA416-31-T	16 A	230 V		30.047.572	230	
IKA25-31-T	25 A	230 V		30.046.991	230	3
IKA432-31-T	32 A	230 V		30.046.992	230	
IKA416-30-T	16 A	230 V		30.047.573	225	3
IKA25-30-T	25 A	230 V		30.046.993	225	
IKA432-30-T	32 A	230 V		30.046.994	225	3
IKA416-22-T	16 A	230 V		30.047.574	230	
IKA25-22-T	25 A	230 V		30.046.995	230	3
IKA432-22-T	32 A	230 V		30.046.996	230	
IKA416-04-T	16 A	230 V		30.047.575	230	3
IKA25-04-T	25 A	230 V		30.046.997	230	
IKA432-04-T	32 A	230 V	30.046.998	230	3	



ORDERING DATA

Other control voltages are on request - define type and voltage

# INSTALLATION CONTACTORS - UP TO 25 A

	Type	Symbol	Unit	IK21	IKA216 IKA216-R IKA216-T	IKD216 IKD216-R IKD216-T	IKA20 IKA20-R IKA20-T <sup>1)</sup>	IKD20 IKD20-R IKD20-T <sup>1)</sup>	IKA225 IKA225-R IKA225-T <sup>1)</sup>	IKD225 IKD225-R IKD225-T <sup>1)</sup>	
	Standards	IEC/EN 61095, IEC/EN 60947-4-1, IEC/EN 60947-5-1									
Approvals	CE, EAC										
Module width	2										
Number of poles	4										
Degree of protection	IP20 (IP40 when installed in installation box - distribution board)										
Pollution degree	3										
Climatic conditions	95 % relative humidity										
Operating ambient temperature	°C	-15 ... +55	-25 ... +70 (2NO)							-15 ... +70 (1NO)	
			-15 ... +70 (for IKD216, IKD20 and IKD225 -15 ... +55 (1NO+1NC))							-15 ... +55 (2NC)	
										-15 ... +55 (1NC)	
Number of contactors or switches side-by-side: ≤40 °C (40 ... 55) °C (55 ... 70) °C			no limitation				max. 3				
							max. 2				
			max. 1 (ventilation modules or least 9 mm free space on each side)								
Storage temperature	°C		-40... +80								
Maximum altitude	m		2000								
U <sub>i</sub> and U <sub>e</sub> is reduced for 1.2 % and I <sub>e</sub> for 0.4 % for every additional 100 m											
Noise level (operation)	dB	30	30	20	30	20	30	20	30	20	
Vibration resistance according to IEC/EN 60068-2-6	a	g	switched off: 2 (Z and X axis) / switched on: 3 (Z axis) and 1 (X axis)								
Shock resistance according to IEC/EN 6068-2-27	a	g	switched off: 10 (Z and X axis) / switched on: 15 (Z axis) and 2 (X axis)								
Maximum operating frequency with no load		op. c./h	3.000								
Mechanical endurance		op. c.	3.000.000	10.000.000	3.000.000	10.000.000	3.000.000	10.000.000	3.000.000	10.000.000	
Weight		g	170	130	130	130	130	130	130	130	
Contact reliability	≥17 V; ≥50 mA										
Minimum distance of open contacts	mm		3,6								
Power dissipation per pole	W	2.0	1.2	1.2	1.7	1.7	2.0	2.0			
Overload current withstand capability: 10 s	A	40	56				72				
Maximum back-up fuse for short-circuit protection gL and gG: coordination type 1	I <sub>v</sub>	A					25		25		
coordination type 2			20	16	16	20	20				
Rated insulation voltage	U <sub>i</sub>	V	415				440				
Rated impulse withstand voltage	U <sub>imp</sub>	kV	4								
Rated operational voltage	U <sub>e</sub>	V	400				400 <sup>2)3)</sup>				
Rated frequency	f	Hz	50/60								
Max. thermal current up to +55 °C	I <sub>th</sub>	A	20	16		20		25			
Max. thermal current @ +70 °C	I <sub>th</sub>	A			16		20	16	25	20	
Rated operational current for AC-1, AC-7a and AC-21	I <sub>e</sub>	A	20	16		20		25			
Operational power for AC-1, AC-7a and AC-21: single-phase 230 V	P <sub>e</sub>	kW			3.5		4		5.4		
three-phase 230 V			7.5								
three-phase 400 V			13								
Maximum operating frequency for AC-1, AC-7a and AC-21		op. c./h	600								
Electrical endurance for AC-1, AC-7a and AC-21		op. c.	200.000								
Rated operational current for AC-2	I <sub>e</sub>	A	10				12		14		
Operational power for AC-2: single-phase 230 V	P <sub>e</sub>	kW			1.5		1.8		2.0		
three-phase 230 V			2.5								
three-phase 400 V			4.5								
Maximum operating frequency for AC-2		op. c./h	120								
Electrical endurance for AC-2		op. c.	100.000								
Rated operational current for AC-22	I <sub>e</sub>	A	20	16		20		25			
Operational power for AC-22: single-phase 230 V	P <sub>e</sub>	kW	3.7	2.9		3.7		4.6			
three-phase 230 V			6.3								
three-phase 400 V			11								
Maximum operating frequency for AC-22		op. c./h	300								
Electrical endurance for AC-22		op. c.	50.000								
Rated operational current for AC-3, AC-3e, AC-7b and AC-23	I <sub>e</sub>	A	5	NO: 7 / NC: 4				NO: 9 / NC: 6			
Operational power for AC-3, AC-3e, AC-7b and AC-23: single-phase 230 V	P <sub>e</sub>	kW	0.37	NO: 1.1 / NC: 0.55				NO: 1.3 / NC: 0.75			
three-phase 230 V			1.1								
three-phase 400 V			2.2								
Maximum operating frequency for AC-3, AC-3e, AC-7b and AC-23		op. c./h	600								
Electrical endurance for AC-3, AC-3e, AC-7b and AC-23		op. c.	300.000								

1) Available approvals only CE and EAC    2) Rated operational voltage between two line (phase) conductors    3) Rated operational voltage for versions of contacts -10 and-01 is 230 V

# INSTALLATION CONTACTORS - UP TO 25 A

Type	Symbol	Unit	IK21	IKA216 IKA216-R IKA216-T	IKD216 IKD216-R IKD216-T	IKA20 IKA20-R IKA20-T	IKD20 IKD20-R IKD20-T	IKA225 IKA225-R IKA225-T	IKD225 IKD225-R IKD225-T
Rated operational current for AC-5a (at 230 V)	$I_e$	A			8.8				11.2
Maximum operating frequency for AC-5a		op. c./h				600			
Electrical endurance for AC-5a		op. c.				100.000			
Rated operational current for AC-5b (at 230 V)	$I_e$	A			8.8				9.7
Maximum operating frequency for AC-5b		op. c./h				600			
Electrical endurance for AC-5b		op. c.				100.000			
Rated operational current for AC-6a (at 230 V)	$I_e$	A			4				4.8
Maximum operating frequency for AC-6a		op. c./h				600			
Electrical endurance for AC-6a		op. c.				100.000			
Switching of capacitors AC-6b and AC-7c (at 230 V)	C	$\mu$ F			30				36
Maximum operating frequency for AC-6b and AC-7c		op. c./h				600			
Electrical endurance for AC-6b and AC-7c		op. c.				100.000			
Rated operational current for DC-1 (L/R $\leq$ 1 ms):									
1 pole ... 24 V DC/48 V DC/60 V DC/110 V DC/ 220 V DC	$I_e$	A		20/12/6/2/0.5	16/12/8/4/0.5	20/15/10/6/0.6		25/20/15/6/0.6	
2 poles in series ... 24 V DC/48 V DC/60 V DC/110 V DC/ 220 V DC				20/15/10/4/1.5	16/15/12/8/0.4	20/18/15/10/6		25/25/20/10/6	
3 poles in series ... 24 V DC/48 V DC/60 V DC/110 V DC/ 220 V DC				20/20/20/6/2.5					
4 poles in series ... 24 V DC/48 V DC/60 V DC/110 V DC/ 220 V DC				20/20/20/6/3.5					
Maximum operating frequency for DC-1		op. c./h				300			
Electrical endurance for DC-1		op. c.				100.000			
Rated operational current for DC-3 (L/R $\leq$ 2 ms):									
1 pole ... 24 V DC/48 V DC/60 V DC/110 V DC/ 220 V DC	$I_e$	A			10/5/2/1/0.1			15/8/4/1.3/0.2	
2 poles in series ... 24 V DC/48 V DC/60 V DC/110 V DC/ 220 V DC				20/10/8/4/0.4	16/10/8/4/0.4	20/10/8/4/0.4		25/16/12/5.5/0.6	
3 poles in series ... 24 V DC/48 V DC/60 V DC/110 V DC/ 220 V DC				20/20/15/6/2.5					
4 poles in series ... 24 V DC/48 V DC/60 V DC/110 V DC/ 220 V DC				20/20/15/6/3.5					
Maximum operating frequency for DC-3		op. c./h				300			
Electrical endurance for DC-3		op. c.				100.000			
Rated operational current for DC-5 (L/R $\leq$ 7.5 ms):									
1 pole ... 24 V DC/48 V DC/60 V DC/110 V DC/ 220 V DC	$I_e$	A			10/4/1/0.3/0.06			15/5/3/0.5/0.1	
2 poles in series ... 24 V DC/48 V DC/60 V DC/110 V DC/ 220 V DC				20/8/6/2/0.2	16/8/6/2/0.2	20/8/6/2/0.2		25/15/10/4/0.4	
3 poles in series ... 24 V DC/48 V DC/60 V DC/110 V DC/ 220 V DC				20/20/15/5/1.5					
4 poles in series ... 24 V DC/48 V DC/60 V DC/110 V DC/ 220 V DC				20/20/15/5/3					
Maximum operating frequency for DC-5		op. c./h				300			
Electrical endurance for DC-5		op. c.				100.000			
Terminal capacity:									
rigid (solid and stranded)	S	mm <sup>2</sup>	1 ... 2.5			1 ... 10			
flexible		mm <sup>2</sup>	1 ... 2.5			1 ... 6			
Min. conductor @ thermal current @ +70 °C		mm <sup>2</sup>			2.5			4	
Length of removed wire insulation		mm				9			
Screw						M3.5			
Screw head			PZ2			PZ1			
Tightening torque		Nm				1.2			
Contact reliability									$\geq$ 17 V; $\geq$ 50 mA
Minimum distance of open contacts		mm				3.6			
Power dissipation per pole		W	2	1.3	1.3	1.7	1.7	2	2
Overload current withstand capability:									
10 s		A	40		56			72	
Maximum back-up fuse for short-circuit protection gL and gG:									
coordination type 1	$I_v$	A						25	25
coordination type 2			20	16	16	20	20		
Rated insulation voltage	$U_i$	V	415			440			
Rated impulse withstand voltage	$U_{imp}$	kV				4			
Rated operational voltage	$U_e$	V				230/400			
Rated frequency	f	Hz				50/60			
Thermal current	$I_{th}$	A	20		16		20		25
Rated operational current for AC-15:									
single-phase 230 V	$I_e$	A				6			
single-phase 400 V							4		
Maximum operating frequency for AC-15		op. c./h	1200			600			
Electrical endurance for AC-15		op. c.	200.000			300.000			
Rated operational current for DC-13:									
1 pole ... 24 V DC/48 V DC/60 V DC/110 V DC/ 220 V DC	$I_e$	A				6/4/1/0.3/0.05			
2 poles in series ... 24 V DC/48 V DC/60 V DC/110 V DC/ 220 V DC							6/6/4/1/0.1		
3 poles in series ... 24 V DC/48 V DC/60 V DC/110 V DC/ 220 V DC						6/6/6/3/1			
4 poles in series ... 24 V DC/48 V DC/60 V DC/110 V DC/ 220 V DC						6/6/6/4/2			

# INSTALLATION CONTACTORS - UP TO 25 A

	Type	Symbol	Unit	IKA216	IKA216-R	IKA216-T	IKA216-R	IKA216-T	IKA20	IKA20-R	IKA20-T	IKA225	IKA225-R	IKA225-T	IKA225-R	IKA225-T
				IK21	IK216-R	IK216-T	IK20	IK20-R	IK20-T	IK225	IK225-R	IK225-T				
<b>AUXILIARY CIRCUIT</b>	Maximum operating frequency for DC-13		op. c./h	300												
	Electrical endurance for DC-13		op. c.	200.000												
	Terminal capacity:															
	rigid (solid and stranded)	S	mm <sup>2</sup>	1 ... 2.5									1 ... 10			
	flexible			1 ... 2.5									1 ... 6			
	Length of removed wire insulation		mm							9						
	Screw									M3.5						
	Screw head		mm	PZ2									PZ1			
Tightening torque									1.2							
<b>COIL</b>	Range of control voltage for switch-on	U <sub>c</sub>	%	85 ... 110												
	Range of control voltage for drop out	U <sub>c</sub>	%	AC: 75 ... 20 / DC: 75 ... 10 (where is applicable)												
	Kind of voltage			AC	AC	AC/DC	AC	AC/DC	AC	AC/DC	AC	AC/DC	AC	AC/DC	AC	AC/DC
	Standard control voltages	U <sub>c</sub>	V	12, 24, 48, 120, 230, 400			12, 24, 48, 120, 230									
	Frequency of AC control voltage	f	Hz	50/60	50/60	40 ... 500	50/60	40 ... 500	50/60	40 ... 500	50/60	40 ... 500	50/60	40 ... 500	50/60	40 ... 500
	Control mode			remote control with U <sub>c</sub> / manual control only for types with -R and -T												
	Impulse duration of control voltage:															
	minimum			permanent												
	maximum			permanent												
	Minimum duration between two impulses of control voltage		ms	AC: 150 / DC: 500 (where is applicable)												
	Surge immunity withstand voltage 1.2/50 µs acc. to standard IEC/EN 61000-4-5		kV	2												
	Coil consumption:															
	switch-on	VA/W		30/25	12/10	2.1/2.1	12/10	2.1/2.1	12/10	2.1/2.1	12/10	2.1/2.1	12/10	2.1/2.1	12/10	2.1/2.1
	operation			5/1.5	2.8/1.2	2.1/2.1	2.8/1.2	2.1/2.1	2.8/1.2	2.1/2.1	2.8/1.2	2.1/2.1	2.8/1.2	2.1/2.1	2.8/1.2	2.1/2.1
	Delays:															
	make	ms		7 ... 20	15 ... 25	15 ... 45	15 ... 25	15 ... 45	15 ... 25	15 ... 45	15 ... 25	15 ... 45	15 ... 25	15 ... 45	15 ... 25	15 ... 45
	brake			10 ... 20	10 ... 30	20 ... 50	10 ... 30	20 ... 50	10 ... 30	20 ... 50	10 ... 30	20 ... 50	10 ... 30	20 ... 50	10 ... 30	20 ... 50
Terminal capacity:																
rigid (solid and stranded)		mm <sup>2</sup>							1 ... 2.5							
flexible									1 ... 2.5							
Length of removed wire insulation		mm	9									7				
Screw			M3.5									M3				
Screw head			PZ2									PZ1				
Tightening torque		Nm	1.2									0.6				
<b>SAFETY</b>	MTTF - Mean time to failure		h	AC-1: 5.000												
	MTTF = 1/λ = B10/(0.1 n <sub>op</sub> )			AC-3: 7.500												
	MTTF <sub>d</sub> - Mean time to failure dangerous		h	AC-1: 6.666												
	MTTF <sub>d</sub> = 1/λ <sub>d</sub> = B10 <sub>d</sub> /(0.1 n <sub>op</sub> )			AC-3: 10.000												
	B10 - Number of operating cycles until 10 % of devices fail		op. c.	AC-1: 150.000												
				AC-3: 225.000												
	B10 <sub>d</sub> - Number of operating cycles until 10 % of device dangerous		op. c.	AC-1: 200.000												
	B10 <sub>d</sub> = B10/ratio of dangerous failures			AC-3: 300.000												
	λ - Failure rate		1/h	AC-1: 0.0002												
	λ = (0.1 n <sub>op</sub> )/B10			AC-3: 0.000133												
	λ <sub>d</sub> - Failure rate dangerous		1/h	AC-1: 0.00015												
λ <sub>d</sub> = (0.1 n <sub>op</sub> )/B10 <sub>d</sub>			AC-3: 0.0001													
Ratio of dangerous failures		%	75													
n <sub>op</sub> - Operating cycles (operating cycles/h)		op. c./h	300													

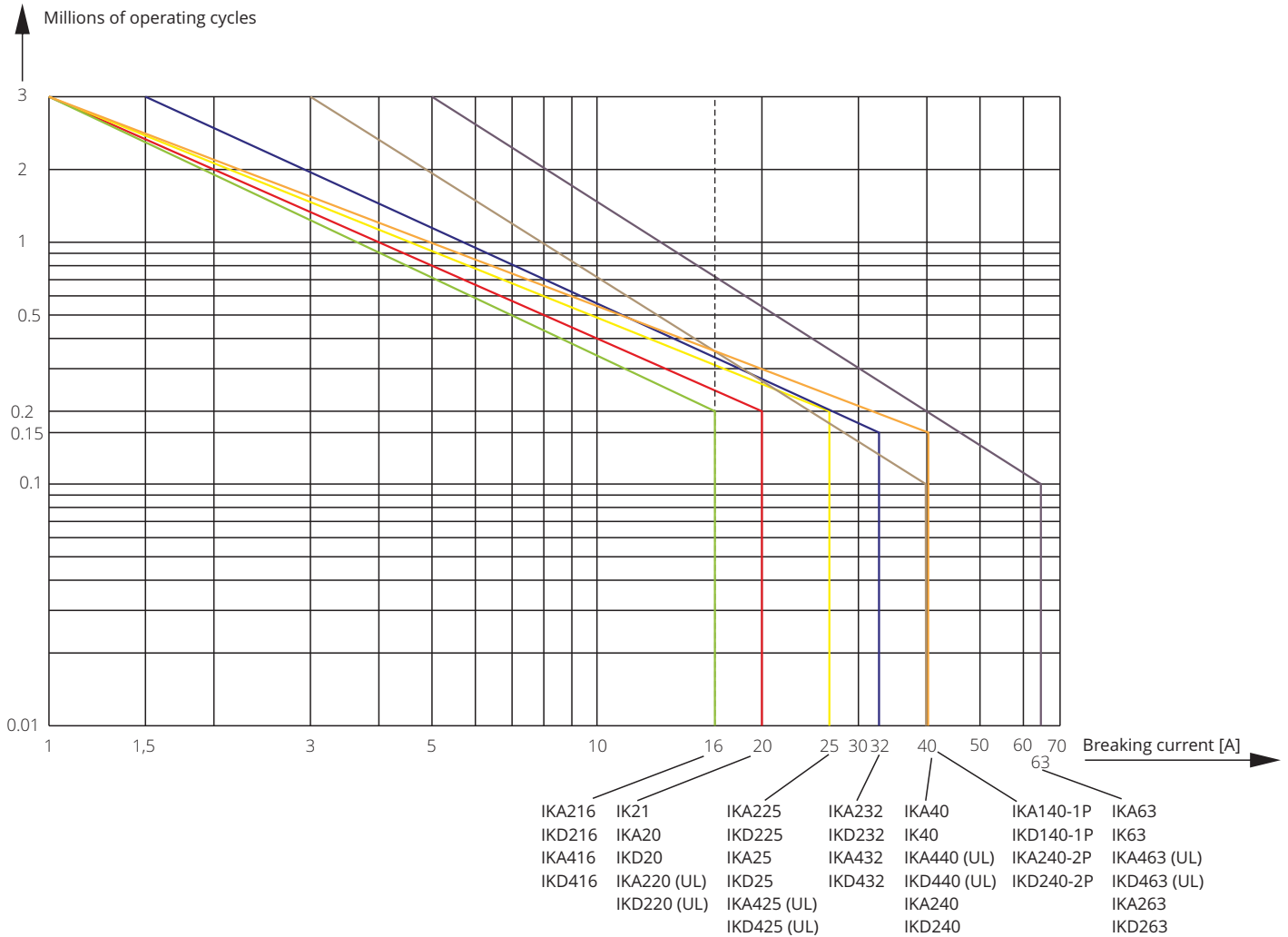
# INSTALLATION CONTACTORS

## Electrical endurance

**AC-1/230V/1-phase** for IKA20, IKD20, IKA216, IKD216, IKA220 (UL), IKD220 (UL), IKA225, IKD225, IKA232, IKD232, IKA440 (UL), IKD440 (UL), IKA463 (UL), IKD463 (UL), IKA140-1P, IKD140-1P, IKA240-2P, IKD240-2P, IKA240, IKD240, IKD263, IKD263

**AC-1/400V/3-phase** for IK21, IKA25, IKD25, IKA416, IKD416, IKA425 (UL), IKD425 (UL), IKA432, IKD432, IKA40, IK40, IKA63, IK63

Diagram 1

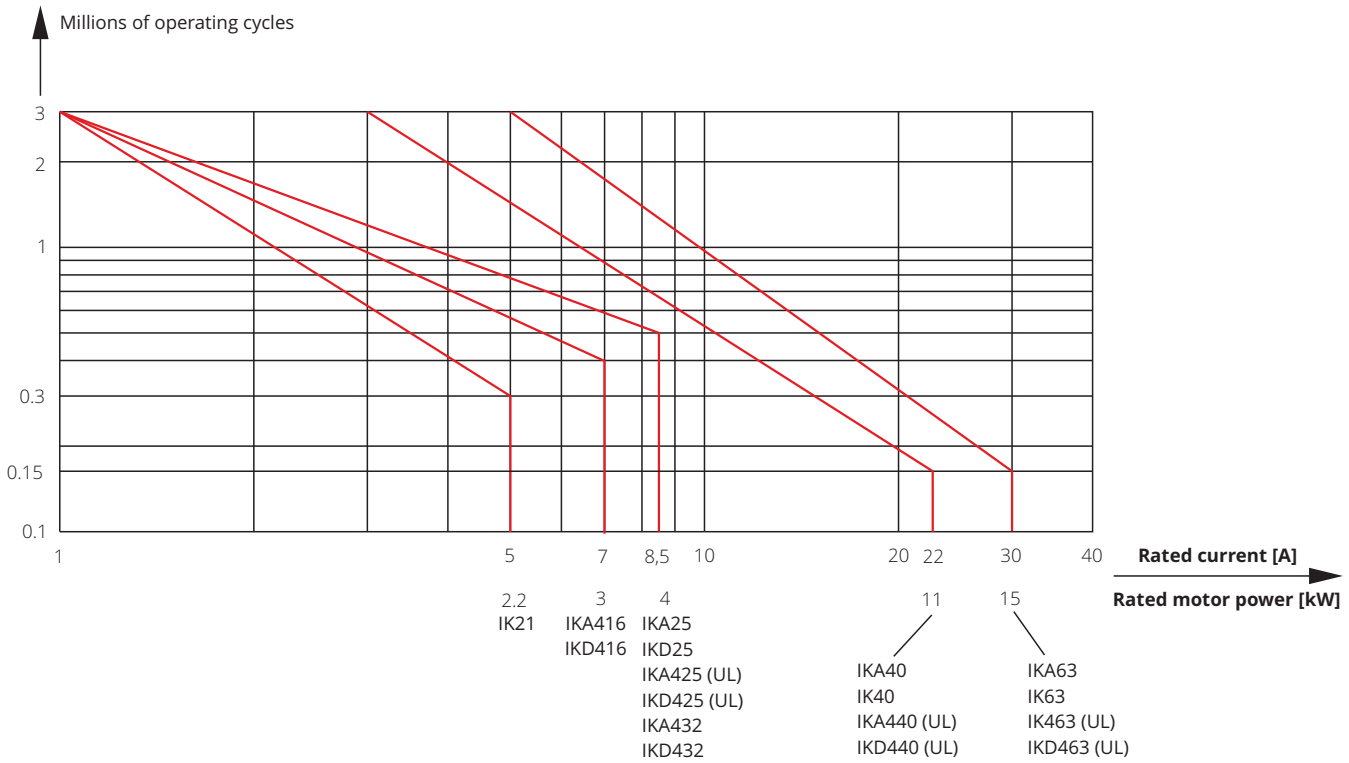


# INSTALLATION CONTACTORS

## Electrical endurance

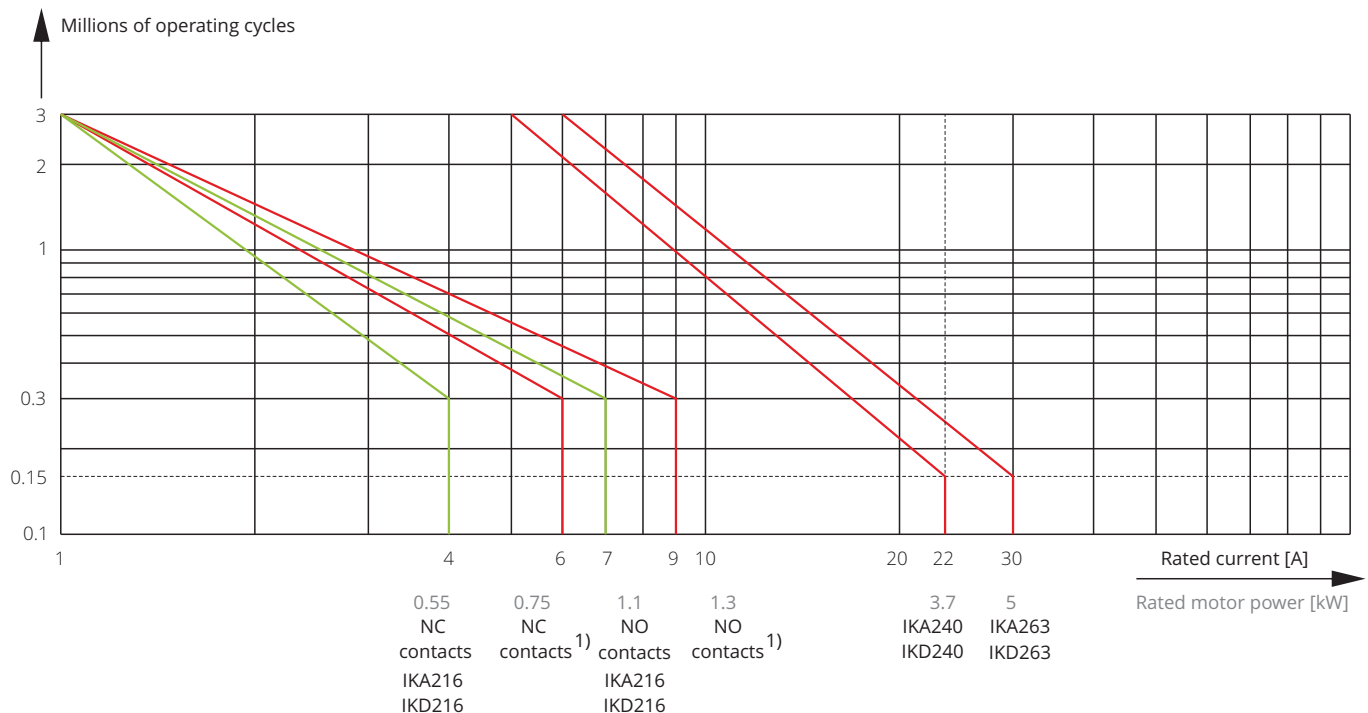
**AC-3, AC-3e/400V/3-phase** for IK21, IKA416, IKD416, IKA25, IKD25, IKA425 (UL), IKD425 (UL), IKA432, IKD432, IKA40, IKA63, IK63, IKA440 (UL), IKD440 (UL), IKA463 (UL), IKD463 (UL)

Diagram 2



**AC-3, AC-3e/230V/1-phase** for IKA216, IKD216, IKA20, IKD20, IKA220 (UL), IKD220 (UL), IKA225, IKD225, IKA232, IKD232, IKA240, IKD240, IKA263, IKD263

Diagram 3

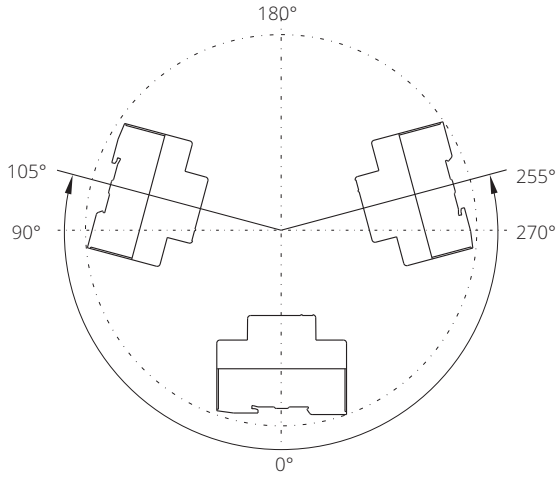


<sup>1)</sup> IKA20, IKD20, IKA220 (UL), IKD220 (UL), IKA225, IKD225, IKA232, IKD232

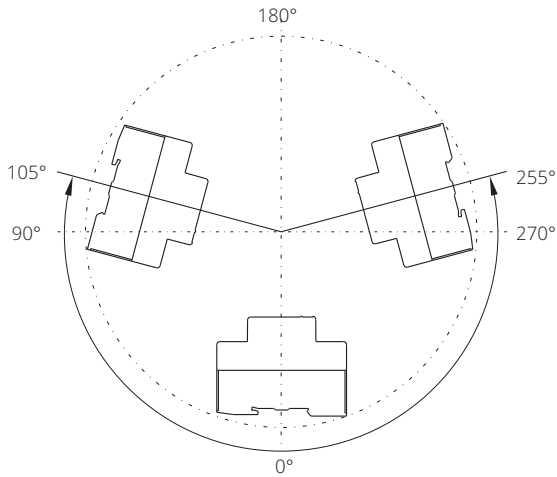
# INSTALLATION CONTACTORS

## Operation position

**IKA216/20/225/232/140/240/25/432/40/63  
IKA220/425/440/463 (UL)**

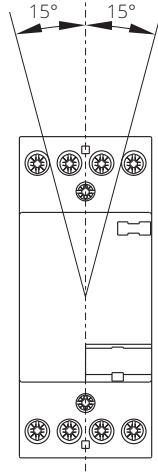


**IKA216/20/225/232-R/-T  
IKA25/432-R/-T**

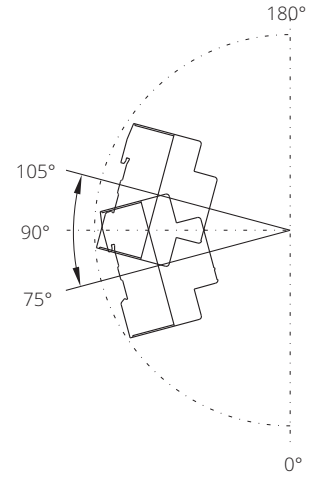


**NOTE:** IK21 and IKS-R/-T have no limitation

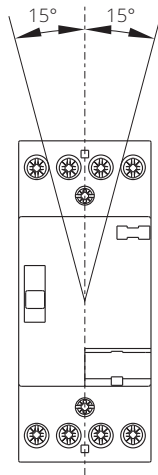
**All installation contactors**



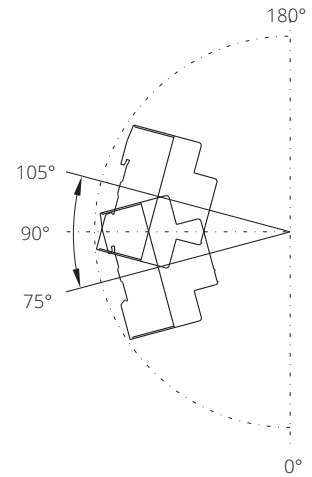
**IKD216/20/225/232/140/240/25/432  
IK40/63, IKD220/425/440/463 (UL)**



**IKA/D216/20/225/232-R/-T  
IKA/D416/25/432-R/-T**

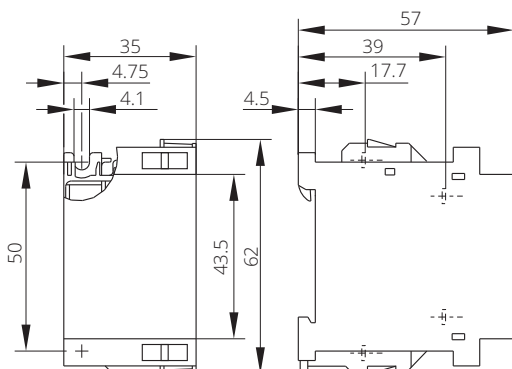


**IKD20/225/232-R/-T  
IKD25/432-R/-T**

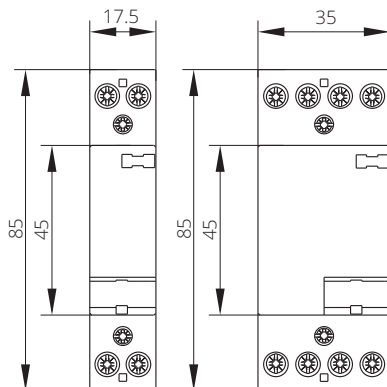


## Dimensions (in millimeters)

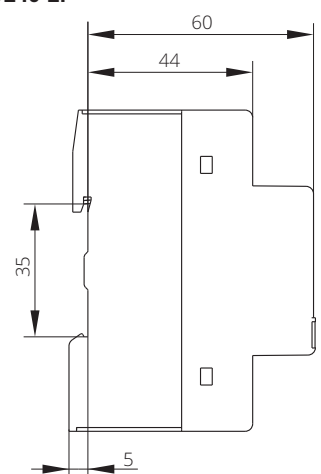
**IK21**



**IKA216, IKD216  
IKA20, IKD20  
IKA225, IKD225  
IKA232, IKD232  
IKA140-1P  
IKD140-1P**



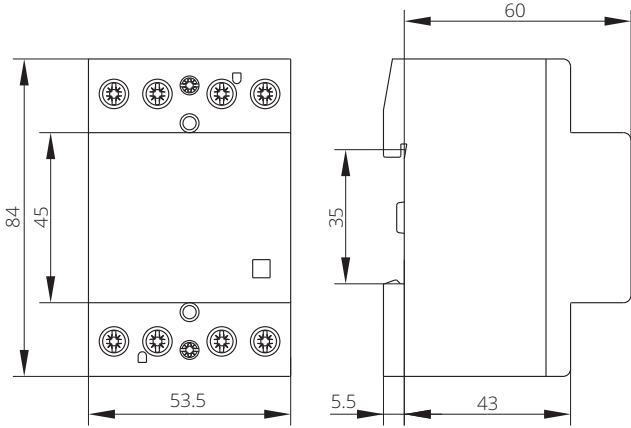
**IKA416, IKD416  
IKA25, IKD25  
IKA25, IKD25  
IKA432, IKD432  
IKA240-2P, IKD240-2P**



# INSTALLATION CONTACTORS

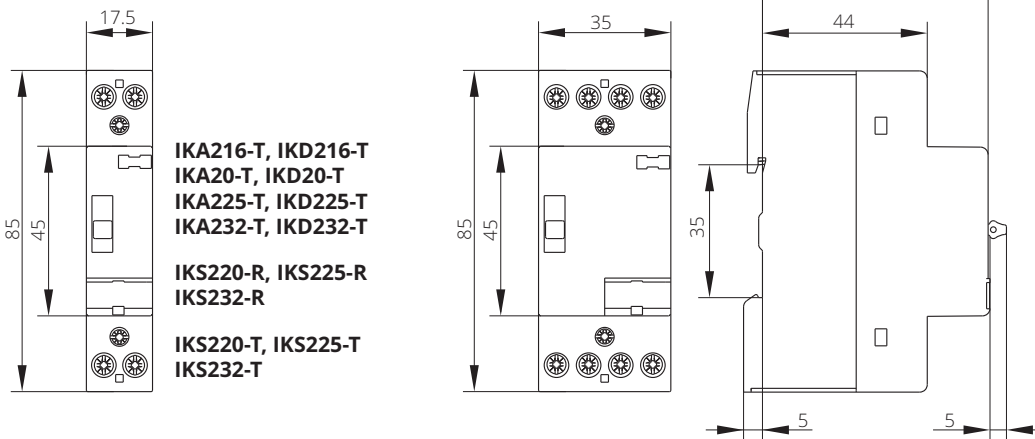
Dimensions (in millimeters unless otherwise stated)

**IK40, IK63**  
**IKA40, IKA63**



**IKA216-R, IKD216-R**  
**IKA20-R, IKD20-R**  
**IKA225-R, IKD225-R**  
**IKA232-R, IKD232-R**

**IKA416-R, IKD416-R, IKA416-T, IKD416-T**  
**IKA25-R, IKD25-R, IKA25-T, IKD25-T**  
**IKA432-R, IKD432-R, IKA432-T, IKD432-T**  
**IKS420-R, IKS425-R, IKS432-R**  
**IKS420-T, IKS425-T, IKS432-T**



**IKA220 (UL), IKD220 (UL)**  
**IKA425 (UL), IKD425 (UL)**

**IKA440 (UL), IKD440 (UL)**  
**IKA463 (UL), IKD463 (UL)**

